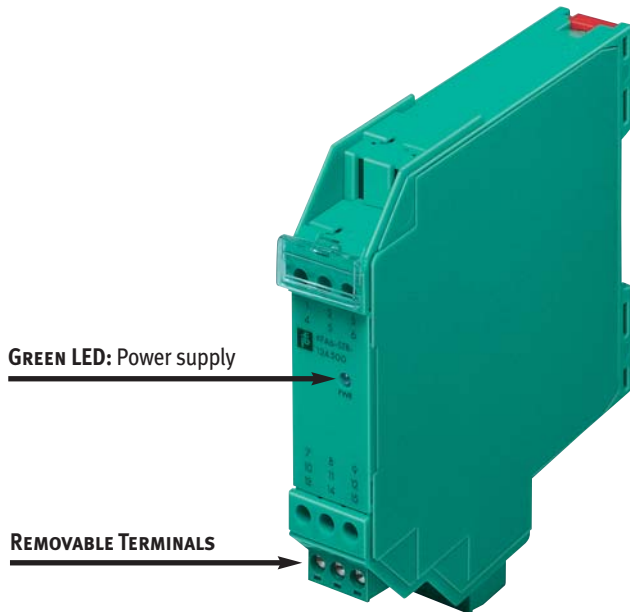


KFA6-STR-1.24.500



- 230 V AC / 115 V AC mains nominal voltage.
- 24 V DC output voltage.
- Max. output current 500 mA.
- No ground connection required.
- Removable terminal and Power rail.

ORDER INFORMATION: PART NUMBER 046544.

Application

The DIN Rail power supply, for small applications, is fully compatible with K-System Power Rail.

The output voltage of the power supply is regulated and remains stable regardless of the power supply size and the load current.

Specification

Power Supply

CONNECTION TYPE: Terminals 14, 15.

RATED OPERATIONAL VOLTAGE U_e : 90 ... 253 V AC, 48 ... 63 Hz.

Output

CONNECTION TYPE: Power Rail or terminals 7 (+), 8 (-).

VOLTAGE: 24 V \pm 0.5 V.

CURRENT: 500 mA at 60 °C, permanent short-circuit protection (electronically).

Galvanic Isolation

POWER SUPPLY/OUTPUT: safe isolation acc. to DIN VDE 0106, design isolation voltage 253 V_{eff}.

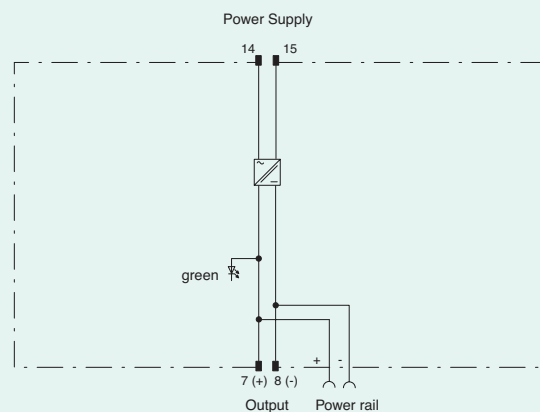
Ambient Conditions

AMBIENT TEMPERATURE: -20 ... 60 °C (253 ... 333 K).

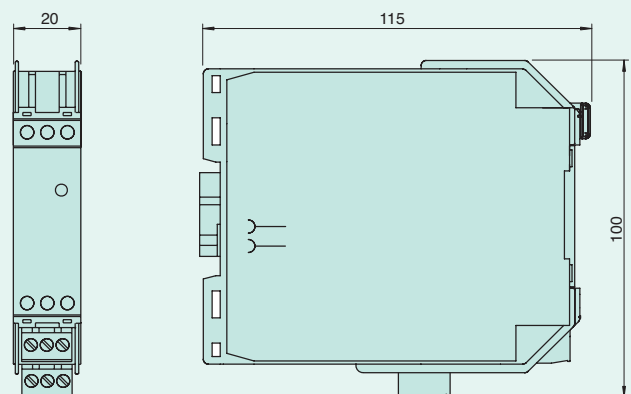
Mechanical specifications

WEIGHT: approximate 140 g.

Schematic



Module Dimensional Drawing



10

KFA6-STR-1.24.500 replaces type STR300 and KFA*-STR-1.26.600.

